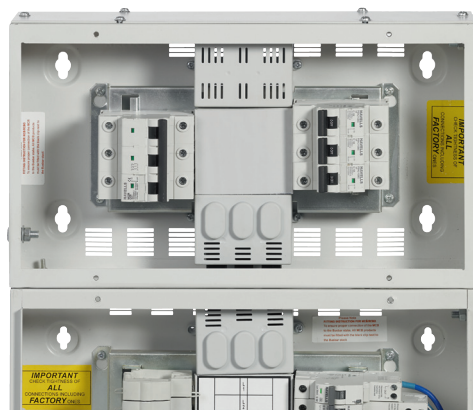


High Current MCB Extension Box



- Add on enclosure provides facility to supply and protect larger loads from a 250A MCB Distribution board
- Can accommodate 2 x TP or 6 x SP MCBs from 63A-125A
- D Type MCBs are also available in 40A, 50A & 63A for motor rated loads
- Fully shrouded busbar kit included for safe connection from distribution board

High Current MCB Extension Box

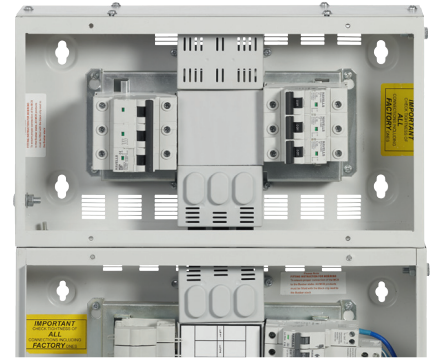
Havells continues to enhance its PowerSafe range of distribution boards for commercial and industrial applications with the introduction of a high current MCB add on enclosure for supplying and protecting loads above 63A.

Specifically designed to be easily connected to the top of a standard 250A rated distribution board the high current MCB extension box provides a level of flexibility not catered for by other manufacturers.

Supplied with a fully shrouded busbar connection kit it is now possible to extend a standard 250A distribution board to accommodate either two triple pole 27mm pitch MCBs or six single pole MCBs (40A-125A). MCBs are available in both C and D types to achieve isolation, over current protection and a level of discrimination with other protective devices.

Key Features:

- 25kA Icc rated 250A busbar assembly manufactured to EN61439-1
- Fully lockable Lid (barrel lock to be ordered separately)
- Complete with blanking modules for unused ways
- Fully shrouded busbar interconnection kit
- Up to 2 x TP or 6 x SP 27 High Current MCBs can be accommodated



High Current MCB Extension Box & Accessories

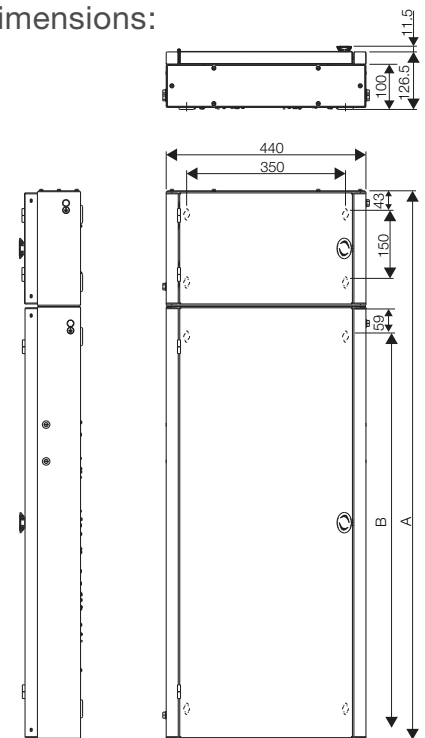
Extension busbar section to fit high current (27mm) MCBs upto 125A.

Description	Rating	No. Ways	Part No.
High current MCB extension box	-	2 x TP, 6 x SP	PSB227

High Current MCBs (10kA -27mm)

Description	Current (A)	Single Pole		Triple Pole	
		Type C	Type D	Type C	Type D
Miniature Circuit Breaker	40A	-	PSHL140D	-	PSHL340D
Miniature Circuit Breaker	50A	-	PSHL150D	-	PSHL350D
Miniature Circuit Breaker	63A	-	PSHL163D	-	PSHL363D
Miniature Circuit Breaker	80A	PSHL180C	PSHL180D	PSHL380C	PSHL380D
Miniature Circuit Breaker	100A	PSHL1100C	PSHL1100D	PSHL3100C	PSHL3100D
Miniature Circuit Breaker	125A	PSHL1125C	PSHL1125D	PSHL3125C	PSHL3125D

Dimensions:



Ways	Fixing Dimension	
	Height-B (mm)	Width (mm)
6	820	350
12	982	350
18	1127	350
24	1289	350

Ways	Outer Dimension	
	Height-A (mm)	Width (mm)
6	1206	440
12	1368	440
18	1513	440
24	1675	440

SYLVANIA Lumiance Concord

Havells Sylvania UK Ltd
 Avis Way, Newhaven, East Sussex, BN9 0ED
 Customer Service: 0843 22 753 88
 www.havells.co.uk

