

LoadSafe



Catalogue
Enclosed Switch Disconnecter Fuse





LSEDF633N



LoadSafe – 20A-400A Enclosed Switch Disconnecter Fuse

Quality features

- Current ratings 20A-400A
- 80kA Withstand Rating
- SPsN, TPN & TPsN pole configurations
- Front Operated Door Interlocked with defeat mechanism
- Handle can be padlocked in ON and OFF position
- Full range or matching cable spreader boxes

General characteristics

Havells new LoadSafe range of enclosed switch disconnectors fuse feature a compact design optimised for industrial applications requiring an AC23A utilisation category rating. Primarily engineered for use with BS88 fuse links the switch can also be used as an industrial switch disconnecter with isolator links fitted, as supplied.

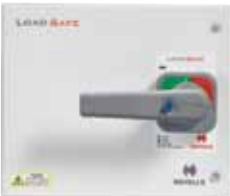
Switch Disconnecter Fuse General Characteristics

IP Rating	IP4X
Paint Specification	RAL 7035 epoxy powder coating
Short Short Circuit Breaker Rating	85kA to BS EN 60947-3
Utilisation Category	AC23A

Cable Capacities

20A/32A	10mm ² (M6)
63A	25mm ² (M6)
100A/125A	35mm ² (M8)
160/200/250A	120mm ² (M10)
400A	240mm ² (M12)
Enclosure Earth Stud	M8

Enclosed Switch Disconnecter Fuse



LSEDF203N

Frame Size 1 - 20A-32A

Max size fuses are supplied with each Switch Disconnecter Fuse e.g. LSEDF323N is supplied with 3 x 32A Fuse Links. For Isolator only version please order corresponding code.

Description	Pole Configuration	Fused Part No	Isolator Part No
20A Switch Disconnecter Fuse	SPsN	LSEDF201SN	LSES201SN
32A Switch Disconnecter Fuse	SPsN	LSEDF321SN	LSES321SN
20A Switch Disconnecter Fuse	TPN	LSEDF203N	LSES203N
32A Switch Disconnecter Fuse	TPN	LSEDF323N	LSES323N



LSEDF613SN

Frame Size 2 - 63A

Max size fuses are supplied with each Switch Disconnecter Fuse e.g. LSEDF633N is supplied with 3 x 63A Fuse Links. For Isolator only version please order corresponding code.

Description	Pole Configuration	Fused Part No	Isolator Part No
63A Switch Disconnecter Fuse	SPsN	LSEDF631SN	LSES631SN
63A Switch Disconnecter Fuse	TPN	LSEDF633N	LSES633N
63A Switch Disconnecter Fuse	TPsN	LSEDF633SN	N/A



LSEDF1003N

Frame Size 3 - 100A-125A

Max size fuses are supplied with each Switch Disconnecter Fuse e.g. LSEDF1003N is supplied with 3 x 100A Fuse Links. For Isolator only version please order corresponding code.

Description	Pole Configuration	Fused Part No	Isolator Part No
100A Switch Disconnecter Fuse	SPsN	LSEDF1001SN	N/A
125A Switch Disconnecter Fuse	SPsN	LSEDF1251SN	N/A
100A Switch Disconnecter Fuse	TPN	LSEDF1003N	LSES1003N
125A Switch Disconnecter Fuse	TPN	LSEDF1253N	LSES1253N
100A Switch Disconnecter Fuse	TPsN	LSEDF1003SN	N/A
125A Switch Disconnecter Fuse	TPsN	LSEDF1253SN	N/A

Frame Size 4 - 160A - 250A

Max size fuses are supplied with each Switch Disconnecter Fuse e.g. LSEDF2003N is supplied with 3 x 200A Fuse Links. For Isolator only version please order corresponding code.



LSEDF1603N

Description	Pole Configuration	Fused Part No	Isolator Part No
160A TPN Switch Disconnecter Fuse	TPN	LSEDF1603N	N/A
160A TPsN Switch Disconnecter Fuse	TPsN	LSEDF1603SN	N/A
200A TPN Switch Disconnecter Fuse	TPN	LSEDF2003N	N/A
200A TPsN Switch Disconnecter Fuse	TPsN	LSEDF2003SN	N/A
250A TPN Switch Disconnecter Fuse	TPN	LSEDF2503N	LSES2503N
250A TPsN Switch Disconnecter Fuse	TPsN	LSEDF2503SN	LSES2503SN

Frame Size 5 - 400A

Max size fuses are supplied with each Switch Disconnecter Fuse e.g. LSEDF4003N is supplied with 3 x 400A Fuse Links. For Isolator only version please order corresponding code.



LSEDF4003N

Description	Pole Configuration	Fused Part No	Isolator Part No
400A TPN Switch Disconnecter Fuse	TPN	LSEDF4003N	LSES4003N
400A TPsN Switch Disconnecter Fuse	TPsN	LSEDF4003SN	LSES4003SN

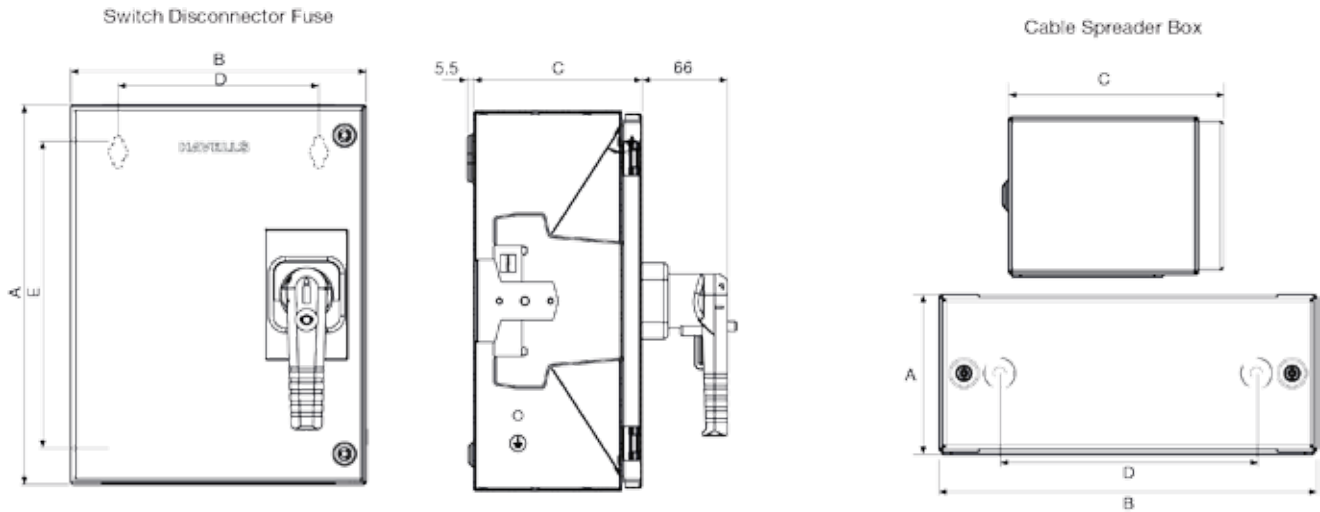
Cable Spreader Boxes



LSEDF1PCSB

Description	Part No
Cable Spreader Box 20A-125A SPSN Switch Disconnecter Fuse	LSEDF1PCSB
Cable Spreader Box 20A-125A TPN / TPsN Switch Disconnecter Fuse	LSEDF3PCSB
Cable Spreader Box For 160A-250A TPN/TPsN SDF	LSEDF3P25CSB
Cable Spreader Box For 400A TPN/TPsN SDF	LSEDF3P40CSB

Enclosed Switch Disconnecter Fuse - 20A-400A



Dimensions

	TPN/TPsN					SPsN		
	20A / 32A	63A	100A/125A	160A-250A	400A	20A-32A	63A	100A-125A
A	225	265	340	450	570	225	265	340
B	265	265	265	410	500	200	200	200
C	151	151	151	221	255	151	151	151
D	180	180	180	270	360	115	115	115
E	180	200	275	350	470	160	200	275

	Cable Spreader Box			
	TPN / TPsN			SPN / SPsN
	20A-125A	160A-250A	400A	20A-125A
A	110	150	170	110
B	265	410	500	200
C	151	221	255	151
D	180	270	260	115

Installation Data

FRAME SIZE	Rating (A)	Lug size (Max.) Cu. Lugs (mm ²)	Thread Size	Terminating Tightening Torque (Nm)	Recommended Fuse BS type
Frame 1	20-32	6/10*	M6	3.7	A2
Frame 2	63	16/25*	M6	3.7	A3
Frame 3	100	35/50*	M8	9	A4
	125	50/70*	M8	9	A4
Frame 4	160	70/95*	M10	48	B2
	200	95/150*	M12	48	B2
	250	120/185*	M12	48	B2
Frame 5	400	240/300*	M12	48	B4

*Based on cable spreader boxes fitted

Fuse Comparison Chart

FRAME SIZE	PART NO	BS88 REF	Busmman Reference	Lawson Reference	Fuse Fixing Centres	Tag Type
1	LSEDF201SN	A2	AAO 2A - 20A	TIA 2A - 20A	73mm	OFFSET
	LSDEF203N			TIA 2A - 32A		
	LSEDF321SN		AAO 2A - 32A	TIA 2A - 32A		
	LSEDF323N					
2	LSEDF631SN	A3	AAO 2A-32A, BAO 40A - 63A	TIA 2A-32A,	73mm	
	LSDEF633N			TIS 40A - 63A		
	LSEDF633SN					
3	LSEDF1001SN	A4	CEO 32A - 100A	TCP 32A - 100A	94mm (Max Barrel Dia 31mm)	
	LSDEF1003N					
	LSEDF1003SN		CEO 32A - 100A, DEO 125A	TCP 32A - 100A,		
	LSDEF1251N			CTFP 125A		
	LSDEF1253N					
	LSEDF1253SN					
4	LSEDF1603N	B2	DD 80 - 160 A	TF 80 - 160A	111MM	
	LSDEF1603SN					
	LSDEF2003N		DD 80 - 200A	TF 80 - 200A		
	LSEDF2003SN					
	LSDEF2503N	DD 80 - 200A, TKF ED 250A		TF 80 - 200A, TKF 250A		
	LSDEF2503SN					
	LSES2503N					
	LSES2503SN					
5	LSEDF4003N	B4	ED 250A - 400A	TMF 315A - 400A	111MM (Max Barrel dia 50mm)	
	LSDEF4003SN					
	LSES4003N					
	LSES4003SN					



HAVELLS

Havells Sylvania UK Ltd
Avis Way, Newhaven,
East Sussex BN9 0ED

Customer Service: 0800 440 2478
www.havells.co.uk

Concord Lumiance SYLVANIA

CAT6477